

1.0mmW Compression Mount PCB Connector

NEW

► Overview

Precision 1.0mmW PCB vertical connector for microstrip and coplanar designs, are reusable and can be installed without soldering.

► Feature

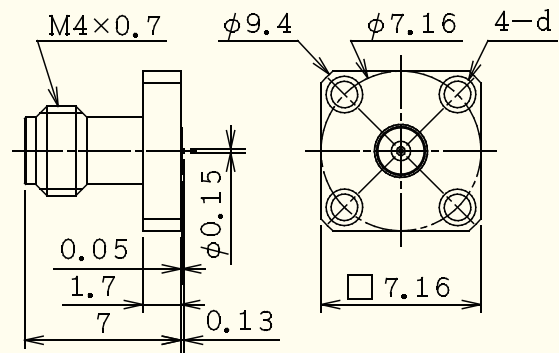
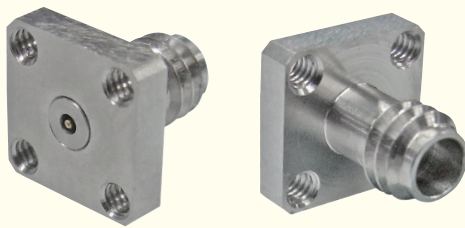
These connectors are suitable for various materials and thickness of PCB. These can be installed with screws directly to PCB for convenient mounting and easy adjusting.

► Application

Optical and millimeter wave transceiver module measurement and more.

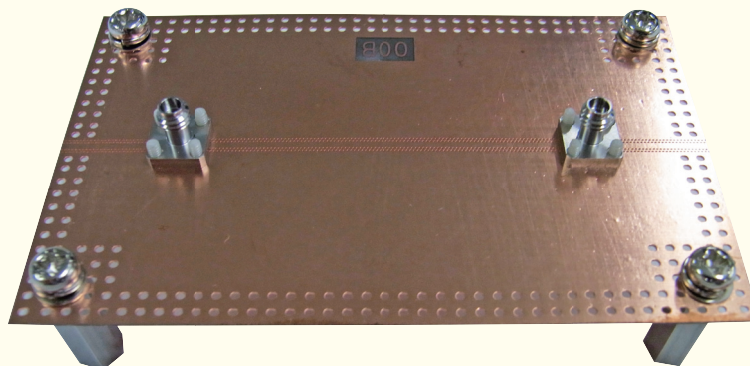
► Product

Product Code : 01R0367-00



Implementation example

Evaluation conditions: PCB RT5880 t=0.254, connector to connector 50mm



Waka[®]

WAKA MANUFACTURING CO.,LTD
TEL: +81-3-6635-5410 FAX: +81-03-6635-5420
URL: <http://www.waka.co.jp/>

► Typical Data

