

# Compression Mount PCB Connectors 1.85mmV

NEW

## ► Overview

This 1.85mm connector is high performance vertical compression with screw mount, frequency up to 65GHz

## ► Feature

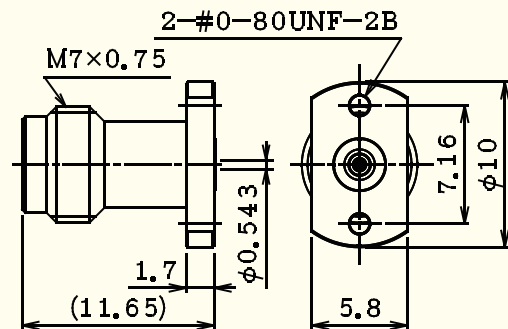
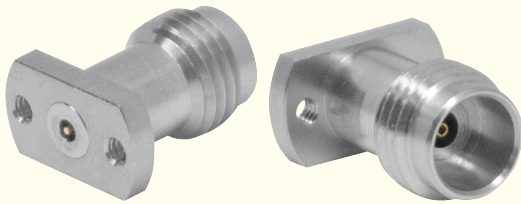
- Stable millimeter-frequency performance with easy mountability.
- DC to 65GHz millimeter-wave frequency supported.
- No soldering needed, easy installation and re-usable.
- Can be apply variety of PCB thickness.

## ► Application

High frequency measurement, interconnection of high-speed communication devices and optical component.

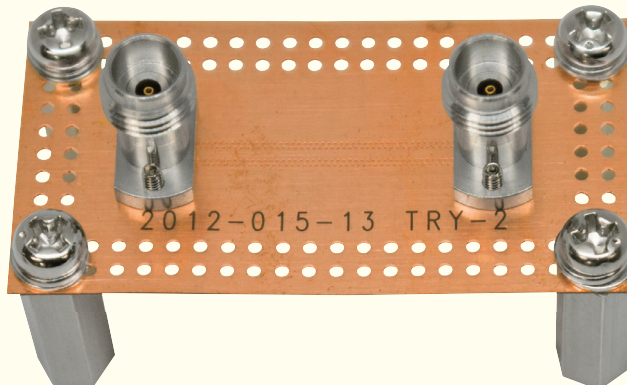
## ► Product

Product Code : 01R0490-00



PCB Mount Ex.

Evaluation condition: PCB RT5880, t=0.254, connector to connector 25mm



Waka

WAKA MANUFACTURING CO.,LTD  
TEL: +81-3-6635-5410 FAX: +81-03-6635-5420  
URL: <http://www.waka.co.jp/>

▶ Typical Data

